



JMI - Simavis

# JDS SERIES 50HZ

Submersible Vortex Sewage Pump



# JDS SERIES 50HZ

Submersible Vortex Sewage Pump

## Feature

- / Vortex Impeller / Non-clogging
- / Minimized abrasive wear
- / Large impeller clearance
- / Maintenance free
- / Double Mech. Seal

## Application

- / Medium concentration Wastewater
- / Heavy duty

## Specifications

Liquid Temperature		0~40°C (32~104°F)
Submersible depth		10M
Motor Part	Frequency	50Hz
	Pole	2 Pole
	Type	Dry Motor
	Insulation	Class E
	Protection	IP 68
Pump Part	Protector	Auto-cut
	Bearing	Ball Type
	Mechanical seal	Dual. Mechanical Seal
	Impeller	Vortex



JDS-05

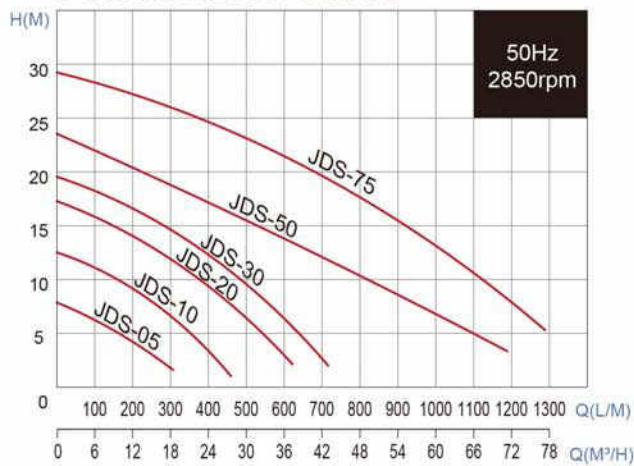


JDS-20



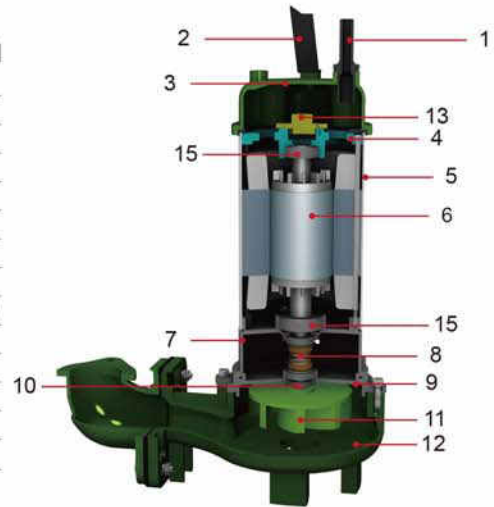
Vortex Impeller

## Performance Curve

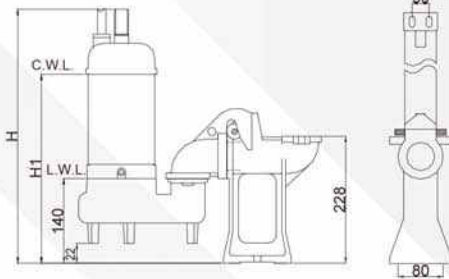
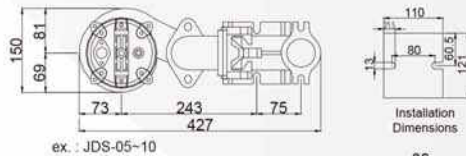


## Parts and Material List

No	Part	Material
1	Cable	H07RN-F/SJTOW/STOW
2	Handle	Nylon 6/SS41
3	Motor Cover	Nylon 66 / FC 200
4	Bracket	FC 200
5	Motor Housing	SUS 304
6	Shaft with Rotor	SUS 410
7	Oil Chamber	FC 200
8	Double Mech.Seal	Upper : CA / CE Lower : CA / CE(0.5-3HP);SIC / SIC(5~7.5HP)
9	Seal Housing	FC 200
10	Oil Seal	NBR
11	Impeller	FC 200
12	Pump Casing	FC 200
13	Protector	
15	Bearing	NTN

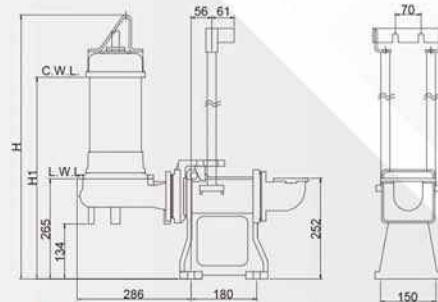
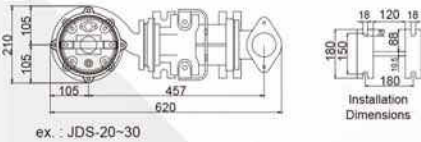


## JDS-Series with QS / QM



### JDS with QS Q.D.C

Output		Discharge		Dimensions(mm)	
HP	KW	Inch	mm	H	H1
0.5	0.37	2"	50	434	319
1	0.75	2"	50	509	367



### JDS with QM Q.D.C

Output		Discharge		Dimensions(mm)	
HP	KW	Inch	mm	H	H1
2	1.5	2"(3")	50(80)	715	545
3	2.2	2"(3")	50(80)	735	565
5	3.7	3"(4")	80(100)	775	597
7.5	5.5	3"(4")	80(100)	815	637

## Selection Table

Type	Output		Discharge	F.L.A.		Rated		Maximum		Cable	Free Passage	Weight	Q.D.C.
	HP	KW		1ø 230V	3ø 400V	Head m	Cap. LPM	Head m	Cap. LPM				
JDS-05	0.5	0.37	2"	4	1.2	6	150	8	320	5	35	13.2	QS-50
JDS-10	1	0.75	2"	6	2	9	200	12.5	460	5	35	18	QS-50
JDS-20	2	1.5	2"(3")	11.3	3.5	10	350	17.5	650	5	45	34.7	QM-80
JDS-30	3	2.2	2"(3")	-	5.2	11	450	19.5	750	5	45	35.8	QM-80
JDS-50	5	3.7	3"(4")	-	8.6	10	800	23.5	1200	10	45	56	QM-100
JDS-75	7.5	5.5	3"(4")	-	12	12	1040	29.5	1400	10	45	62	QM-100

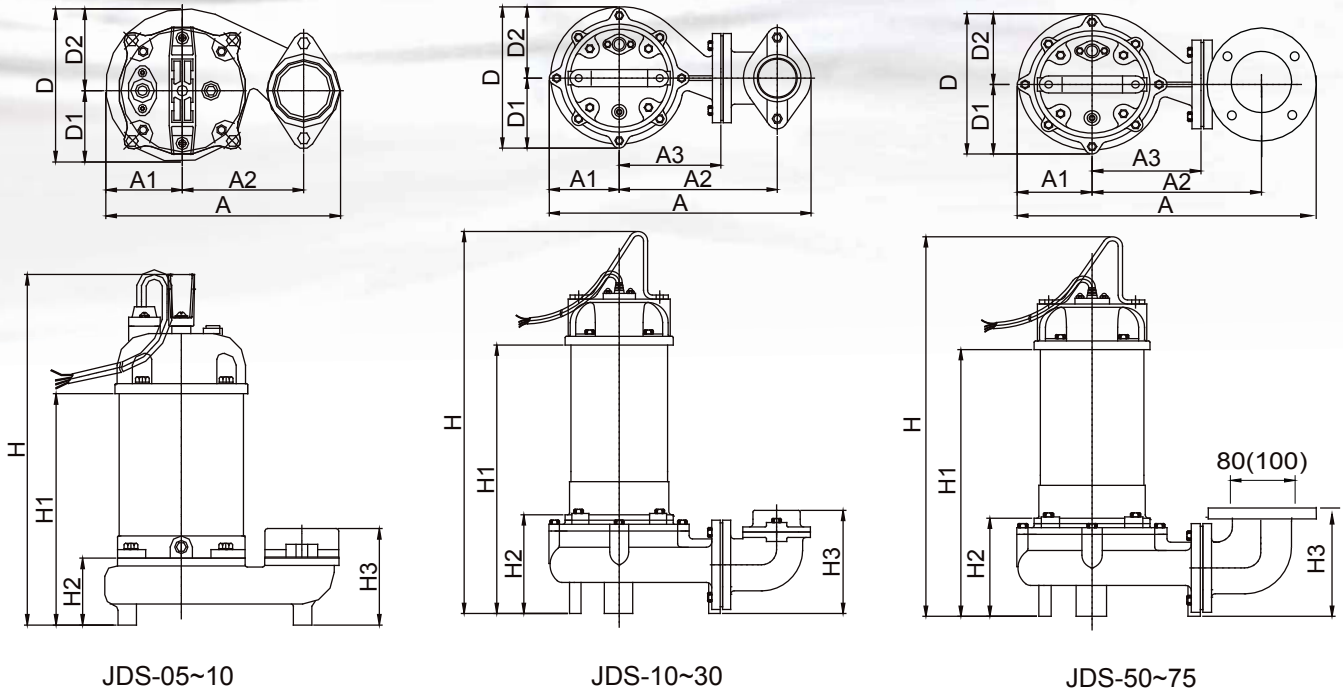
» JDS-05 : Flange Type

» JDS-10 : Flange Type / Elbow Type (2"or 3" / Fit with Q.D.C. QM-80)

» JDS-20~30 : Elbow Type

» JDS-50~75 : Elbow Type

## JDS-Series Dimensions



JDS-05~10

JDS-10~30

JDS-50~75

Dimensions (mm)											
Type	A	A1	A2	A3	D	D1	D2	H	H1	H2	H3
JDS-05	228	73	155	NA	150	69	81	412	297	117	138
JDS-10	228	73	155	NA	150	69	81	487	345	117	138
* JDS-10	312	82	183	101	163	76	87	494	351	124	156
JDS-20	390	103	235	151	210	105	105	532	400	150	152
JDS-30	390	103	235	151	210	105	105	552	420	150	152
JDS-50	470	110	257	170	218	98	120	633	468	160	206
JDS-75	470	110	257	170	218	98	120	673	508	160	206

» Note1 : Automatic models are available in single-phase versions(0.5~1HP) and in three-phase versions(0.5~2HP).

» Note2 : Q.D.C. (Quick Discharge Connection) is applied to all models.

» Note3 : \*JDS-10 is Elbow Type.