

JCP Series

STAINLESS STEEL CENTRIFUGAL PUMPS



The pumps conform to GB5662/DINEN733 Standard
SUS304 & SUS316L stainless steel

Application

The pumps are suitable for transporting clean media which are non-aggressive to stainless steel SUS304 or SUS316.

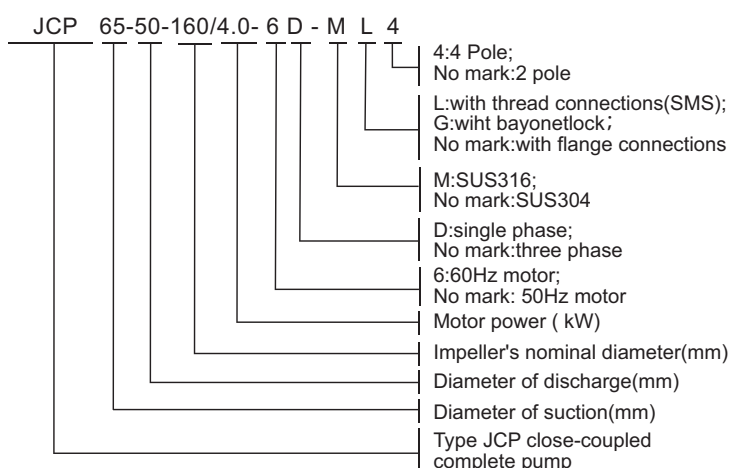
Mainly applied on

Water supply systems
Pressure boiler feeding
Pure water treating systems
Refining chemical industries
Washing and sprinkling

Performance limits

Max . Working pressure: 10bar
To avoid overload and danger the pump should be operated within the performance ranges.
Media temperature:
With NBR/ceramic/carbon:-20°C ~ +80°C
With Viton/ceramic/carbon:-20°C ~ +110°C
With EPR/ceramic/carbon:-20°C ~ +110°C

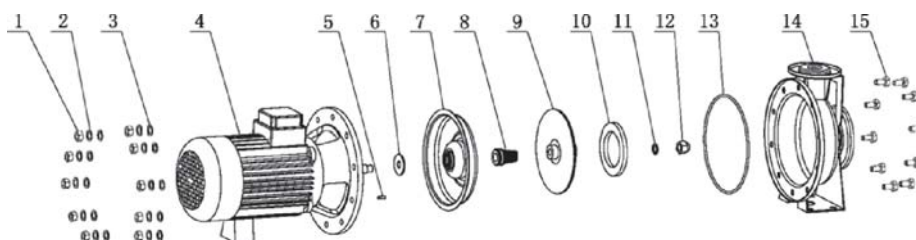
Symbols



Parts list



N o.	Description	N o.	Description	N o.	Description
1	Nut	6	"V" Slinger	11	Spring washe
2	Springwasher	7	Back cover	12	Impeller nut
3	Plainwasher	8	Mechanical seal	13	O ring
4	Motor	9	Impeller	14	Casing
5	Key	10	Neck ring	15	Bolt



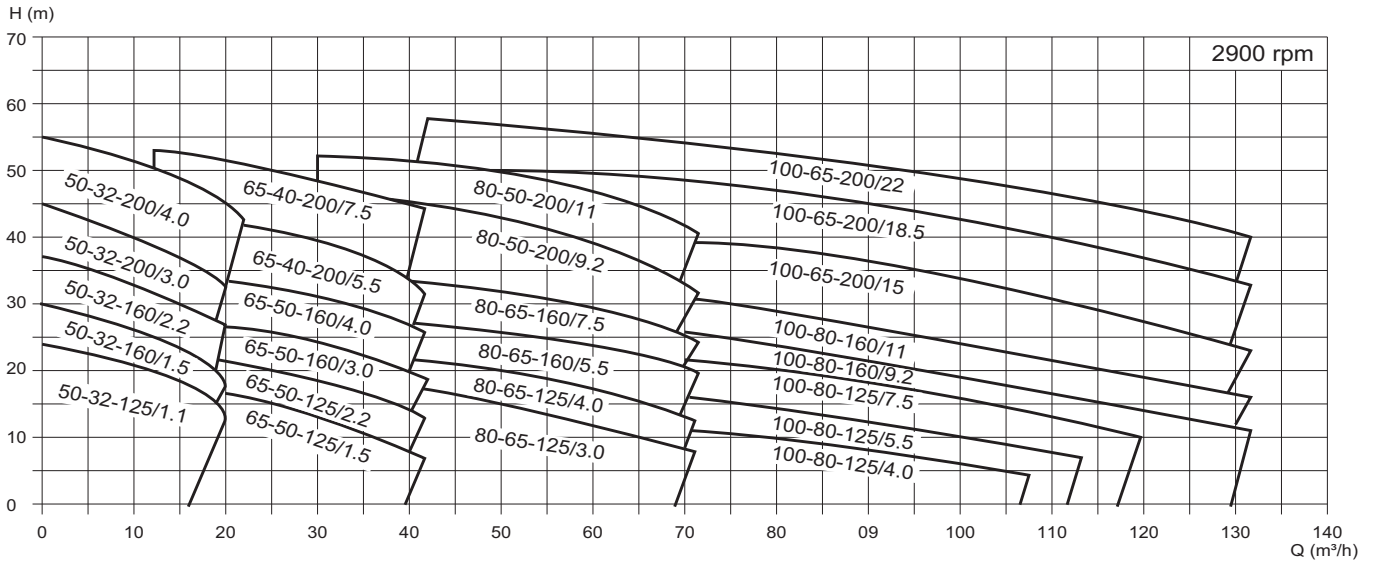
Performance data

2900 rpm

Model (GB 5662)	Model (DINEN733)	Rotational Speed r/min	Pump efficiency %	Equipped motor power		Vapour loss complement NPSH(m)
				kW	HP	
50-32-125/1.1	50-32-125/1.1	2900	61	1.1	1.5	2.0
50-32-160/1.5	50-32-160/1.5		56	1.5	2.0	
50-32-160/2.2	50-32-160/2.2		62	2.2	3.0	
50-32-200/3.0	50-32-200/3.0		48	3.0	4.0	
50-32-200/4.0	50-32-200/4.0		50.5	4.0	5.5	
65-50-125/1.5	65-40-125/1.5		68	1.5	2.0	
65-50-125/2.2	65-40-125/2.2		74	2.2	3.0	
65-50-160/3.0	65-40-160/3.0		66	3.0	4.0	
65-50-160/4.0	65-40-160/4.0		66	4.0	5.5	
65-40-200/5.5	65-40-200/5.5		57	5.5	7.5	
65-40-200/7.5	65-40-200/7.5		62	7.5	10	
80-65-125/3.0	65-50-125/3.0		70	3.0	4.0	2.5
80-65-125/4.0	65-50-125/4.0		74	4.0	5.5	
80-65-160/5.5	65-50-160/5.5		71	5.5	7.5	
80-65-160/7.5	65-50-160/7.5		72	7.5	10.0	
80-50-200/9.2	65-50-200/9.2		73	9.2	12.5	
80-50-200/11	65-50-200/11		72	11	15	3.5
100-80-125/4.0	80-65-125/4.0		72	4.0	5.5	
100-80-125/5.5	80-65-125/5.5		74	5.5	7.5	
100-80-125/7.5	80-65-125/7.5		74	7.5	10	
100-80-160/9.2	80-65-160/9.2	74	9.2	12.5		
100-80-160/11	80-65-160/11	74	11	15	4.0	
100-65-200/15	80-65-200/15.0	75	15	20		
100-65-200/18.5	80-65-200/18.5	75	18.5	25		
100-65-200/22	80-65-200/22.0	75	22	30		

Performance Range

2900 rpm



Operating performance data

2900rpm

Water test temperature :20°C, Performance limits : ISO2548C specifications for standard class C pumps.

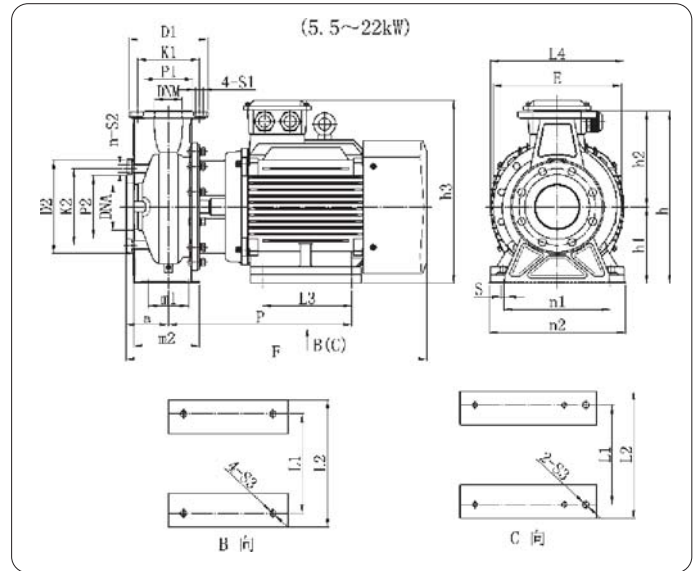
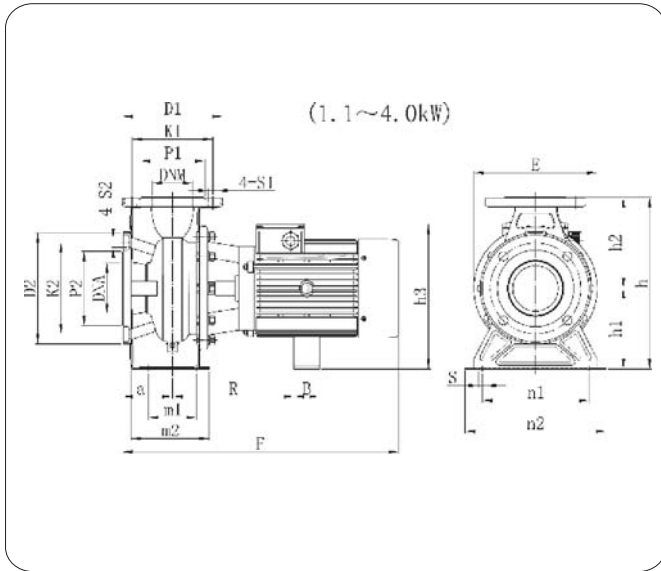
Model (GB5662)	Model (DINEN733)	Power		Capacity															
				1/min	0	100	150	200	300	333	360	400	450	500	600	700	800	1000	1200
Three phase 380V/50Hz		kW	HP	Head (m)															
				m³/h	0	6.0	9.0	12	18	20	22	24	27	30	36	42	48	60	72
50-32-125/1.1	50-32-125/1.1	1.1	1.5		24	21.5	20.5	19.5	16	13									
50-32-160/1.5	50-32-160/1.5	1.5	2.0		29.5	27	26	25	21	18									
50-32-160/2.2	50-32-160/2.2	2.2	3.0		37	33.5	32.5	32	28.5	27									
50-32-200/3.0	50-32-200/3.0	3.0	4.0		45	41	40	38	34	32									
50-32-200/4.0	50-32-200/4.0	4.0	5.5		55	51	50	49	46	45	43								
65-50-125/1.5	65-40-125/1.5	1.5	2.0		20			19	18	17	16.5	15	14	12.5	10	7			
65-50-125/2.2	65-40-125/2.2	2.2	3.0		26			23.5	22.5	22	21.5	21	20.5	19.5	16.5	13			
65-50-160/3.0	65-40-160/3.0	3.0	4.0		31			29	27.5	27	26.5	25.5	25	24	22	19			
65-50-160/4.0	65-40-160/4.0	4.0	5.5		39			35.5	34.5	34	33.5	32.5	32	31	29	26			
65-40-200/5.5	65-40-200/5.5	5.5	7.5		47			43	42.5	42	41.5	41	40.5	39	37	33			
65-40-200/7.5	65-40-200/7.5	7.5	10.0		57			53	52.5	52	51	50	49	48	46.5	44.5			
80-65-125/3.0	65-50-125/3.0	3.0	4.0		22.5							20	19.5	19	18.5	17.5	16	13	9
80-65-125/4.0	65-50-125/4.0	4.0	5.5		25.5							23	22.5	22	21.5	20.5	20	17	13.5
80-65-160/5.5	65-50-160/5.5	5.5	7.5		33							29.5	29	28.5	28	27	26	24	20
80-65-160/7.5	65-50-160/7.5	7.5	10.0		39							36	35	34.5	34	33.5	32.5	29	24
80-50-200/9.2	65-50-200/9.2	9.2	12.5		53									47	46.5	45	43.5	39	32
80-50-200/11	65-50-200/11	11.0	15.0		57.5									52	51	50.5	50	47	41

Model (GB5662)	Model (DINEN733)	Power		Capacity														
				1/min	600	650	700	800	1000	1200	1500	1800	1900	2000	2100	2200		
Three phase 380V/50Hz		kW	HP	Head (m)														
				m³/h	36	39	42	48	60	72	90	108	114	120	126	132		
100-80-125/4.0	80-65-125/4.0	4.0	5.5		18	17.5	17	16	14	11.5	8	4.5						
100-80-125/5.5	80-65-125/5.5	5.5	7.5		22.5	22	21.5	20.5	18.5	16	12.5	8.5	7					
100-80-125/7.5	80-65-125/7.5	7.5	10		27.5	27	26.5	26	24	21.5	18	14	12	10.5				
100-80-160/9.2	80-65-160/9.2	9.2	12.5				31	30	28	26	23	18	16	14.5	13			
100-80-160/11	80-65-160/11	11	15				36	35	33	31	28	23	21	19.5	18	16.5		
100-65-200/15	80-65-200/15.0	15	20				44	43	41	39	36	32	30	28	26	23		
100-65-200/18.5	80-65-200/18.5	18.5	25				51	50	49	48	45	41	39	37	35	33		
100-65-200/22	80-65-200/22.0	22	30				57	56	55	54	51	47	45.5	44	42	40		

Outline Diagram

2900rpm

Remark:all of the flanges are PN2.5MPa with convex.



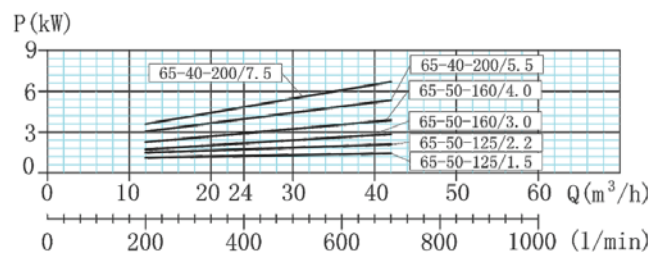
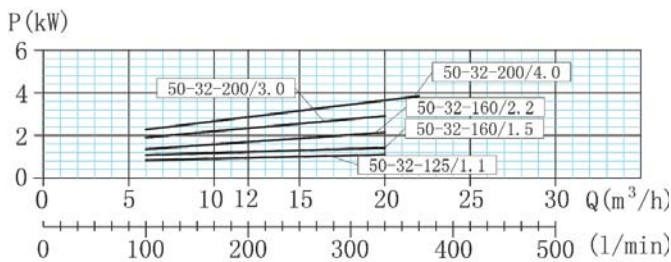
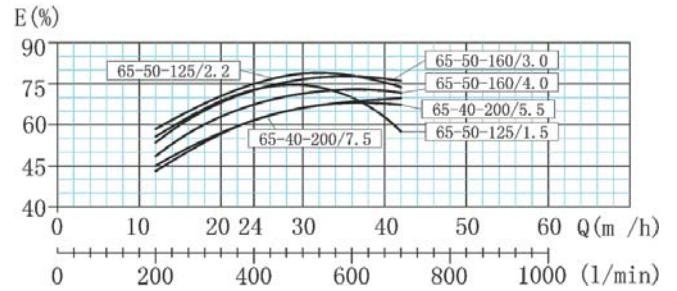
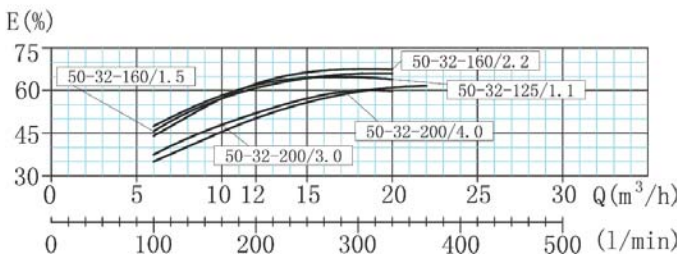
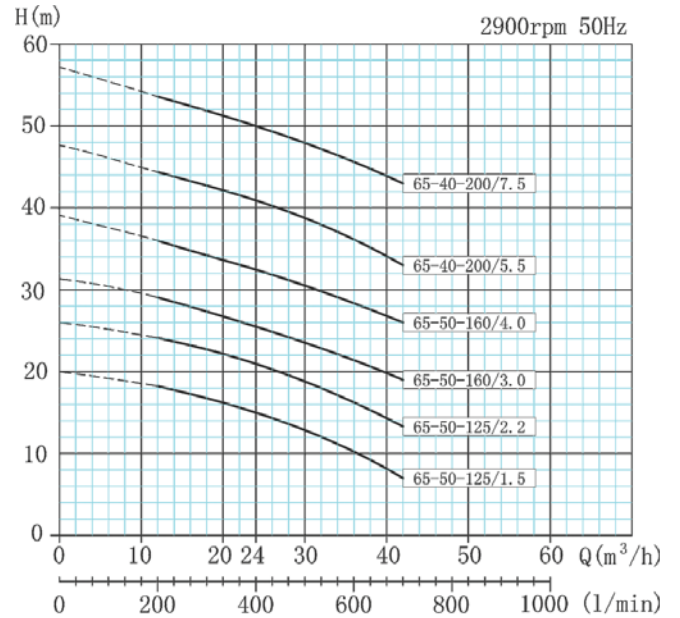
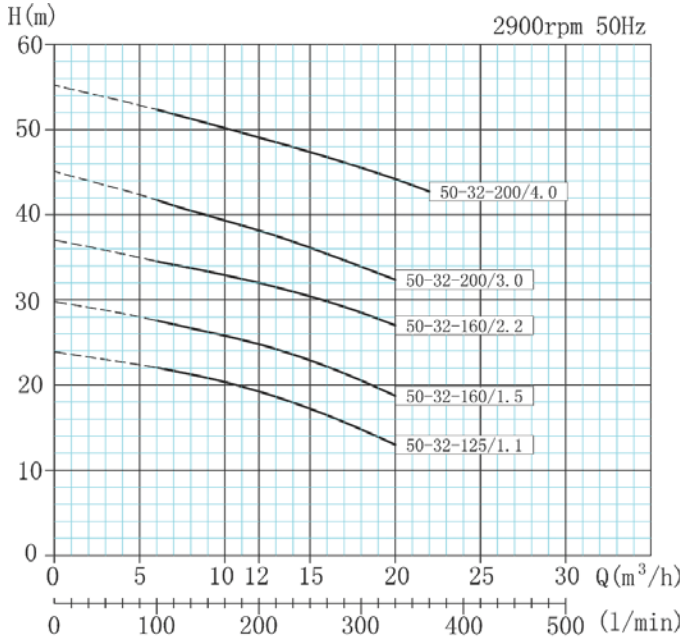
Dimension Table

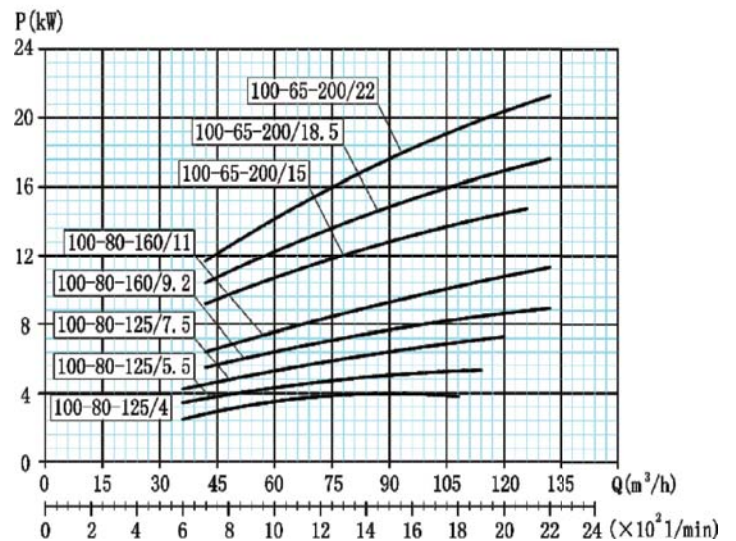
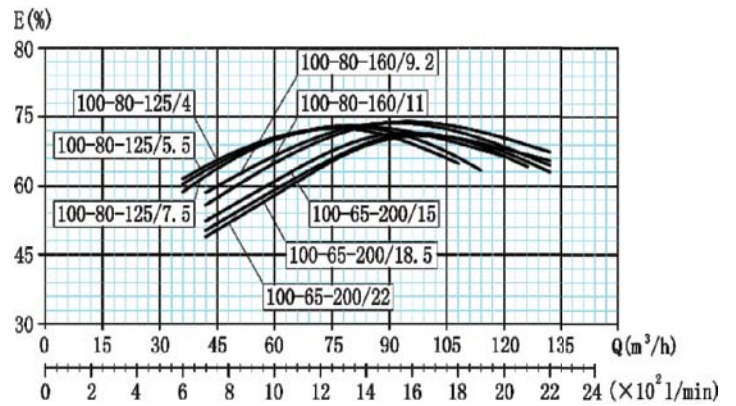
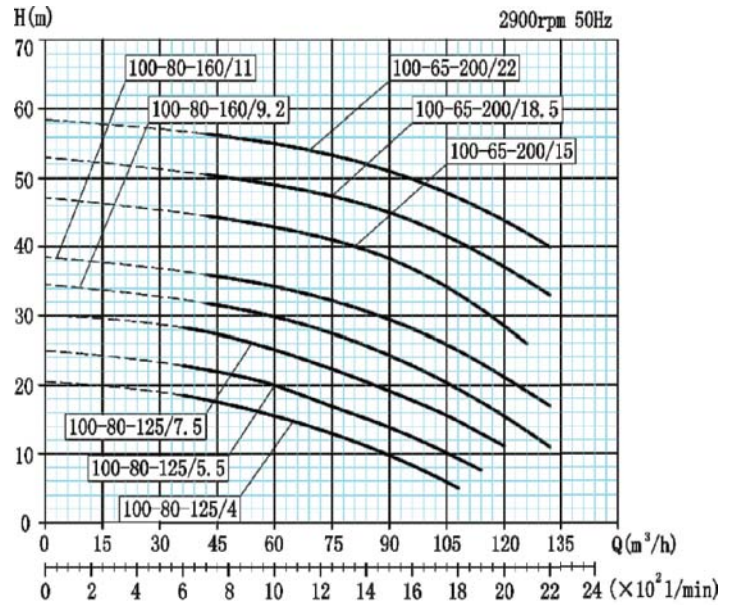
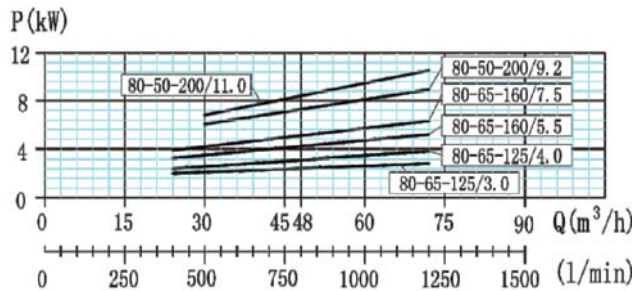
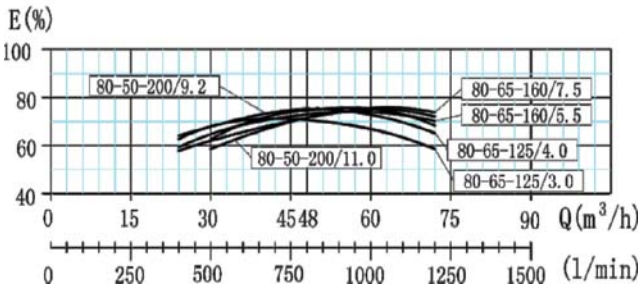
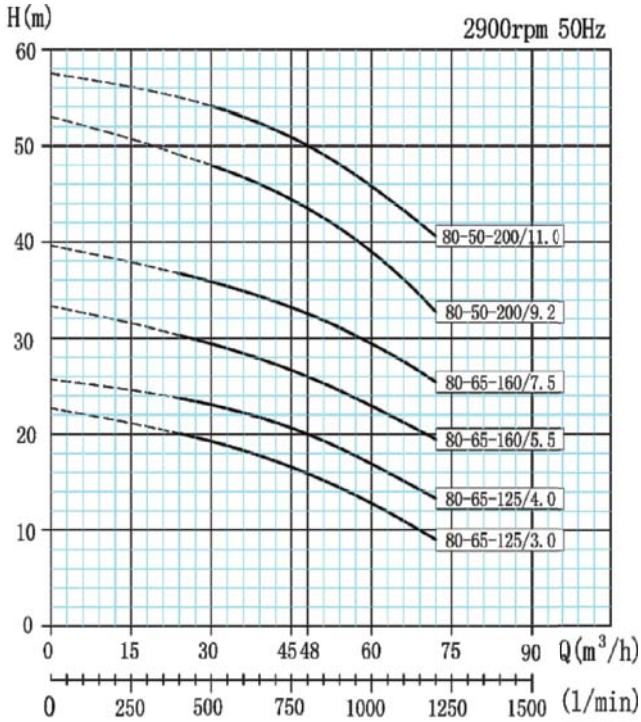
2900 rpm

Model	E	F	h	h1	h2	h3	a	m1	m2	n1	n2	S	B	R	P	L1	L2	L3	L4	S3	n	D2	K2	P2	S2	D1	K1	P1	S1	DNA	DNM	Weight
50-32-125/1.1	209	478	252	112	140	222	80	70	122	140	190	15	43	210	\	\	\	\	\	\	4	165	125	99	18	140	100	76	18	50	32	-
50-32-160/1.5	244	493	292	132	160	253	80	70	123	190	240	15	43	225	\	\	\	\	\	\	4	165	125	99	18	140	100	76	18	50	32	-
50-32-160/2.2	244	493	292	132	160	253	80	70	123	190	240	15	43	225	\	\	\	\	\	\	4	165	125	99	18	140	100	76	18	50	32	-
50-32-200/3.0	295	518	340	160	180	288	80	70	124	190	240	15	50	231	\	\	\	\	\	\	4	165	125	99	18	140	100	76	18	50	32	-
50-32-200/4.0	295	518	340	160	180	288	80	70	124	190	240	15	50	231	\	\	\	\	\	\	4	165	125	99	18	140	100	76	18	50	32	-
65-50-125/1.5	209	478	252	112	140	233	80	70	121	160	210	15	43	210	\	\	\	\	\	\	4	185	145	118	18	165	125	99	18	65	50	-
65-50-125/2.2	209	478	252	112	140	233	80	70	121	160	210	15	43	210	\	\	\	\	\	\	4	185	145	118	18	165	125	99	18	65	50	-
65-50-160/3.0	244	518	292	132	160	260	80	70	123	190	240	15	50	231	\	\	\	\	\	\	4	185	145	118	18	165	125	99	18	65	50	-
65-50-160/4.0	244	518	292	132	160	260	80	70	123	190	240	15	50	231	\	\	\	\	\	\	4	185	145	118	18	165	125	99	18	65	50	-
65-40-200/5.5	295	595	340	160	180	329	100	70	146	212	265	15	\	\	342	216	248	140	344	12	4	185	145	118	18	150	110	84	18	65	40	-
65-40-200/7.5	295	595	340	160	180	329	100	70	146	212	265	15	\	\	342	216	248	140	344	12	4	185	145	118	18	150	110	84	18	65	40	-
80-65-125/3.0	244	547	292	132	160	260	100	70	148	190	240	15	50	241	\	\	\	\	\	\	4	200	160	132	18	185	145	118	18	80	65	-
80-65-125/4.0	244	547	292	132	160	260	100	70	148	190	240	15	50	241	\	\	\	\	\	\	4	200	160	132	18	185	145	118	18	80	65	-
80-65-160/5.5	244	605	340	160	180	329	100	70	150	212	265	15	\	\	352	216	248	140	344	12	4	200	160	132	18	185	145	118	18	80	65	-
80-65-160/7.5	244	605	340	160	180	329	100	70	150	212	265	15	\	\	352	216	248	140	344	12	4	200	160	132	18	185	145	118	18	80	65	-
80-50-200/9.2	295	605	360	160	200	329	100	70	146	212	265	15	\	\	349	216	248	140	344	12	4	200	160	132	18	165	125	99	18	80	50	-
80-50-200/11	295	690	360	160	200	412	100	70	146	212	265	15	\	\	426	254	314	210	314	15	4	200	160	132	18	165	125	99	18	80	50	-

Model	E	F	h	h1	h2	h3	a	m1	m2	n1	n2	S	B	R	P	L1	L2	L3	L4	S3	n	D2	K2	P2	S2	n	D1	K1	P1	S1	DNA	DNM	Weight
100-80-125/4.0	245	548	340	160	180	310	100	95	155	212	280	15	50	244	\	\	\	\	\	\	220	180	152	18	8	200	160	132	18	100	80	-	
100-80-125/5.5	245	604	340	160	180	327	100	95	155	212	280	15	\	\	354	216	248	140	344	12	220	180	152	18	8	200	160	132	18	100	80	-	
100-80-125/7.5	245	604	340	160	180	327	100	95	155	212	280	15	\	\	354	216	248	140	344	12	220	180	152	18	8	200	160	132	18	100	80	-	
100-80-160/9.2	301	606	360	160	200	327	100	95	155	212	280	15	\	\	356	216	248	140	344	12	220	180	152	18	8	200	160	132	18	100	80	-	
100-80-160/11	301	688	360	160	200	412	100	95	155	212	280	15	\	\	433	254	314	210	314	15	220	180	152	18	8	200	160	132	18	100	80	-	
100-65-200/15	301	688	405	180	225	432	100	95	155	250	320	15	\	\	483	254	314	\	314	15	220	180	152	18	8	185	145	118	18	100	65	-	
100-65-200/18.5	301	732	405	180	225	432	100	95	155	250	320	15	\	\	527	254	314	\	314	15	220	180	152	18	8	185	145	118	18	100	65	-	
100-65-200/22	301	732	405	180	225	432	100	95	155	250	320	15	\	\	527	254	314	\	314	15	220	180	152	18	8	185	145	118	18	100	65	-	

Performance Curves





Operating Performance Ranges

1450 rpm

Water test temperature :20°C, Performance limits : ISO2548C specifications for standard class C pumps.

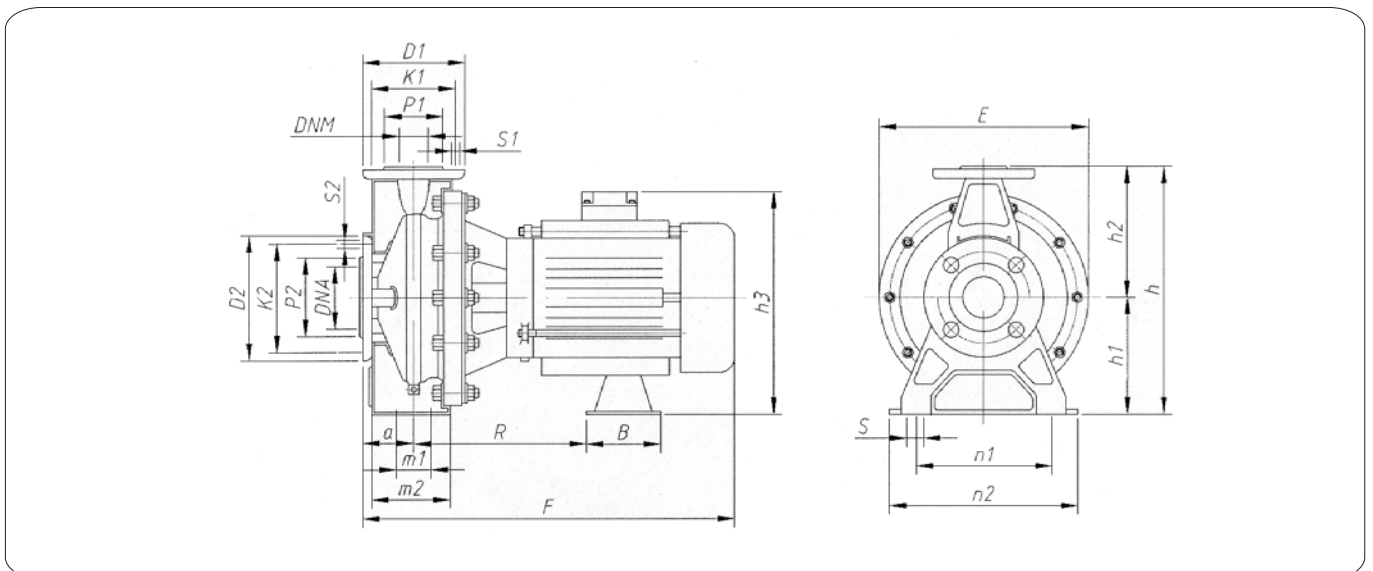
Model	Power		Operate		Capacity										
	kW	HP	m³/h	m	1/min	50	100	150	200	250	300	350	400	500	600
					m³/h	3	6	9	12	15	18	21	24	30	36
					Head (m)										
50-32-125/0.55-4	0.55	0.75	6.3	5		5.2	4.8	4.2	2.8						
50-32-160/0.55-4	0.55	0.75	6.3	8		8.5	8	7.5	6.8						
50-32-200/0.75-4	0.75	1.0	6.3	12.5		12.4	12.1	11.9	11.1						
65-50-125/0.55-4	0.55	0.75	12.5	5			5.5	5.3	5.2	4.9	4	3.2			
65-50-160/0.75-4	0.75	1.0	12.5	8			9	8.6	8.3	7.9	7.6	7.3			
65-40-200/1.5-4	1.5	2.0	12.5	12.5			13.4	13	12.8	12.5	12.3	11.4			
80-65-125/0.75-4	0.75	1.0	25	5					6.4	6.2	6.0	5.7	5.3	4.8	3.5
80-65-160/1.5-4	1.5	2.0	25	8					9.3	9	8.6	8.4	8	7.5	6.9
80-50-200/2.2-4	2.2	3.0	25	12.5					13.9	13.7	13.5	13.3	12.8	11.7	10

Outline Diagram

1450 rpm

Model	E	F	h	h1	h2	h3	a	m1	m2	n1	n2	S	B	R	D2	K2	P2	S2	D1	K1	P1	S1	DNA	DNM
50-32-125/0.55-4	244	460	292	132	160	247	80	70	118	190	240	15	74	209	165	125	99	18	140	100	76	18	50	32
50-32-160/0.55-4	244	460	292	132	160	247	80	70	118	190	240	15	74	209	165	125	99	18	140	100	76	18	50	32
50-32-200/0.75-4	295	520	340	160	180	275	80	70	118	190	240	15	45	238	165	125	99	18	140	100	76	18	50	32
65-50-125/0.55-4	244	460	292	132	160	247	80	70	118	190	240	15	74	209	185	145	118	18	165	125	99	18	65	50
65-50-160/0.75-4	244	460	292	132	160	247	80	70	118	190	240	15	74	209	185	145	118	18	165	125	99	18	65	50
65-40-200/1.5-4	295	540	340	160	180	280	100	70	136	212	265	15	45	238	185	145	118	18	150	110	84	18	65	40
80-65-125/0.75-4	244	488	340	160	180	275	100	70	142	212	265	15	74	209	200	160	132	18	185	145	118	18	80	65
80-65-160/1.5-4	244	550	340	160	180	280	100	70	142	212	265	15	45	248	200	160	132	18	185	145	118	18	80	65
80-50-200/2.2-4	295	550	360	160	200	280	100	70	140	212	265	15	45	248	200	160	132	18	185	125	99	18	80	50

Diagram





The pumps conform to GB5662/DINEN733 Standard
SUS304 & SUS316L stainless steel