



JMI - Simavis

JGP Series - Submersible Grinder Pump



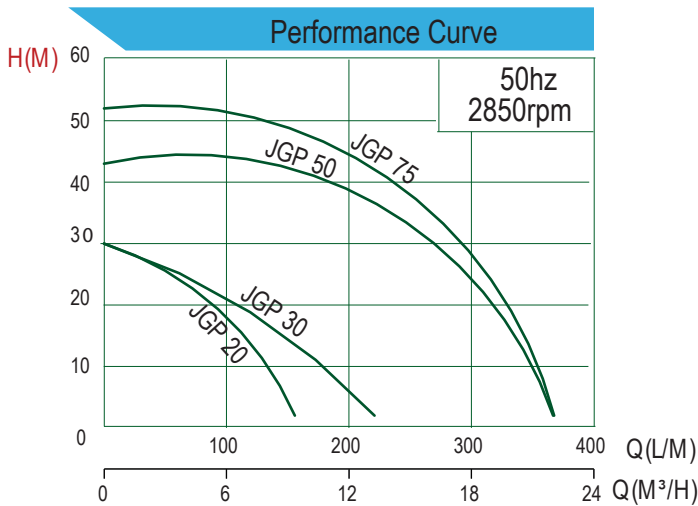
JGP Series

Feature

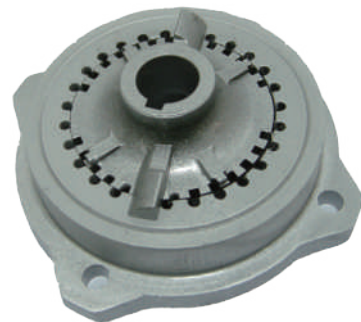
- > HRC 55-58 Grinder Impeller
- > Robust construction
- > Superior heat Dissipation
- > Double mechanical Seals (For 3HP / 5HP / 7.5HP)

Application

- > Waste Water Treatment
- > Sewage water

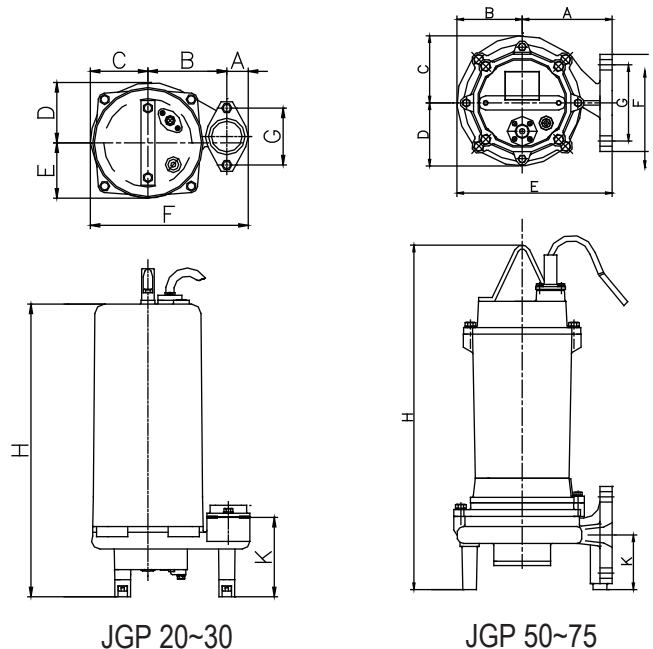


Grinder Impeller & Shredding Ring (High Chrome Steel HRC 55~58)



EG-Series Dimensions

Dimensions (mm)				
Type	JGP 20	JGP 30	JGP 50	JGP 75
A	34	34	165	165
B	127.5	127.5	120	120
C	91.5	91.5	123	123
D	96	96	115.5	115.5
E	92	92	285	285
F	253	253	177.8	177.8
G	90	90	139.7	139.7
H	425	425	631	631
K	126	126	100	100



All technical information is subject to change without notice.



JMI - Simavis

JGP Series - Submersible Grinder Pump

Specifications

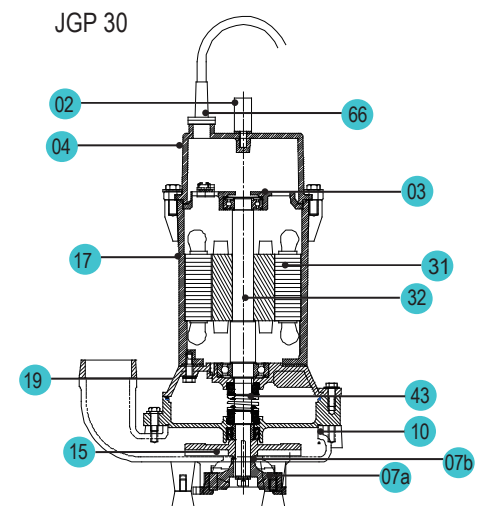
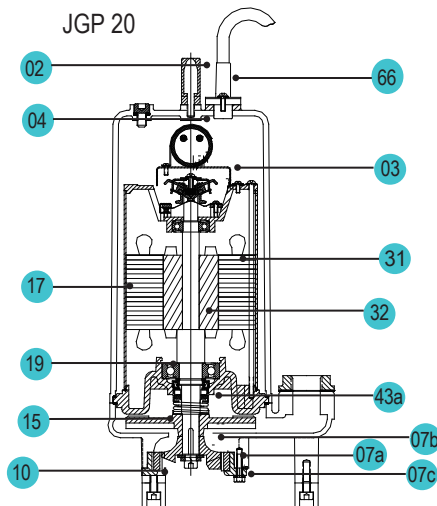
Type	Output		Discharge Inch	Phase Ø	Voltage V	FL. Amp A	Maximum		Cable M	Weight Kg
	HP	kw					Head M	Capacity LPM		
JGP - 20	2	1.5	1.25"	3,(1)	400(230)	5(16)	30	160	10	38
JGP - 30	3	2.2	2"	3	400	5	30	230	10	38
JGP - 50	5	3.7	2"	3	400	8.3	43	370	10	57
JGP - 75	7.5	5.5	2"	3	400	12.4	52	370	10	60

Options:

- Guide rail systems for easy-out/easy-in plumbing for 5 & 7.5Hp.

JGP-Series Material

Parts and Material List		
No	Part	JGP 20/30
2	Handle	SUS-304
3	Switch Plate	SC(2HP)/FC-20(3HP)
4	Upper Cover	FC-20
7a	Shredder Ring	High Chrome Steel
7b	Shredder Cutter	High Chrome Steel
7c	Shredder Ring Bracket	FC-20
10	Pump Casing	FC-20
11	Seal Bracket	FC-20
15	Impeller	FC-20
17	Motor Frame	SC(2HP)/FC-20(3HP)
19	Bearing Bracket	FC-20
31	Stator	
32	Rotor / Shaft	SUS-410
43	Mech. Seal (3HP)	Upper : CA/CE Lower : SIC/SIC
43a	Mech.Seal (2HP)	SIC/SIC
66	Cable Gland	NBR
67	Shaft Sleeve	SUS-304(3HP)



Parts and Material List		
No	Part	JGP 50/75
2	Handle	FCD-45
3	Switch Plate	FC-20
4	Upper Cover	FC-20
7a	Shredder Ring	High Chrome Steel
7b	Shredder Cutter	High Chrome Steel
7c	Shredder Ring Bracket	FC-20
10	Pump Casing	FC-20
11	Seal Bracket	FC-20
15	Impeller	FC-20
17	Motor Frame	FC-20
19	Bearing Bracket	FC-20
31	Stator	
32	Rotor / Shaft	
43	Mechanical Seal	CA / CE
43a	Mechanical Seal	SIC / SIC
66	Cable Gland	NBR
68	Gland Holder	SUS-304

