



JMI - Simavis

JEFSS

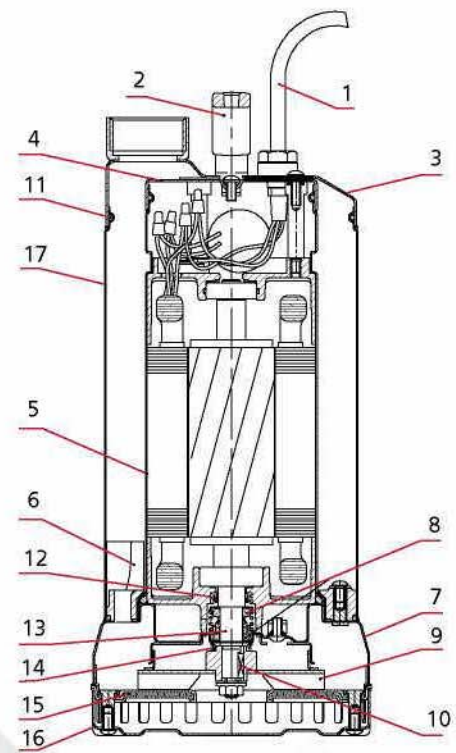
SERIES 50HZ

Submersible Drainage Pump



Parts and Material List

No	Part	Material
1	Cable	H07RN-F
2	Handle	SUS 304+Nylon
3	Pump Cover	SUS 304
4	Motor Cover	SUS 304
5	Housing	SUS 304
6	Fixing Ring	Nylon+30GF
7	Pump body	SUS 304
8	Mechanical seal	Silicon Carbide/Silicon Carbide/NBR
9	Impeller	SUS 304
10	Key	SUS 304
11	O-RING	NBR
12	Oil Seal	NBR
13	Shaft	SUS 304
14	V-type Axial Oil Seal	NBR
15	Suction flange	SUS 304/Thermoplastic polyurethane TPU
16	Strainer	SUS 304
17	Pump Casing	SUS 304



Data Chart

Type	Output		Discharge Inch	F.L.A.		Rated		Maximum		Cable M	Free Passage mm	Weight kg
	HP	KW		1 ϕ 230V	3 ϕ 400V	Head m	Cap. LPM	Head m	Cap. LPM			
40JEFSS-5.07	0.75	0.55	1 1/2"	3.58	1.33	8.6	100	10.9	250	10	8	11
40JEFSS-5.07A	0.75	0.55	1 1/2"	3.58	-	8.6	100	10.9	250	10	8	11.5
40JEFSS-5.10	1	0.75	1 1/2"	4.78	2.07	11.2	100	14	325	10	8	14(1PH)/11(3PH)
40JEFSS-5.10A	1	0.75	1 1/2"	4.78	-	11.2	100	14	325	10	8	14.5
40JEFSS-5.15	1.5	1.1	1 1/2"	7.21	2.48	11.9	150	16.1	375	10	8	16(1PH)/14(3PH)
40JEFSS-5.15A	1.5	1.1	1 1/2"	7.21	-	11.9	150	16.1	375	10	8	16.5
40JEFSS-5.20	2	1.5	1 1/2"	-	3.31	15.6	150	20.6	420	10	8	16



JEFSS

SERIES 50HZ

Submersible Drainage Pump

Feature

- / Fully made in stainless steel SUS 304
- / Double mechanical seal in Si.Ca and V ring oil seal
- / Suction flange line with thermoplastic polyurethane for increased resistance to abrasion
- / Suspended solids handled up to 8 mm.
- / Thermal protector embedded in the winding (single phase)
- / 10 metres HO7RN-F neoprene power cable

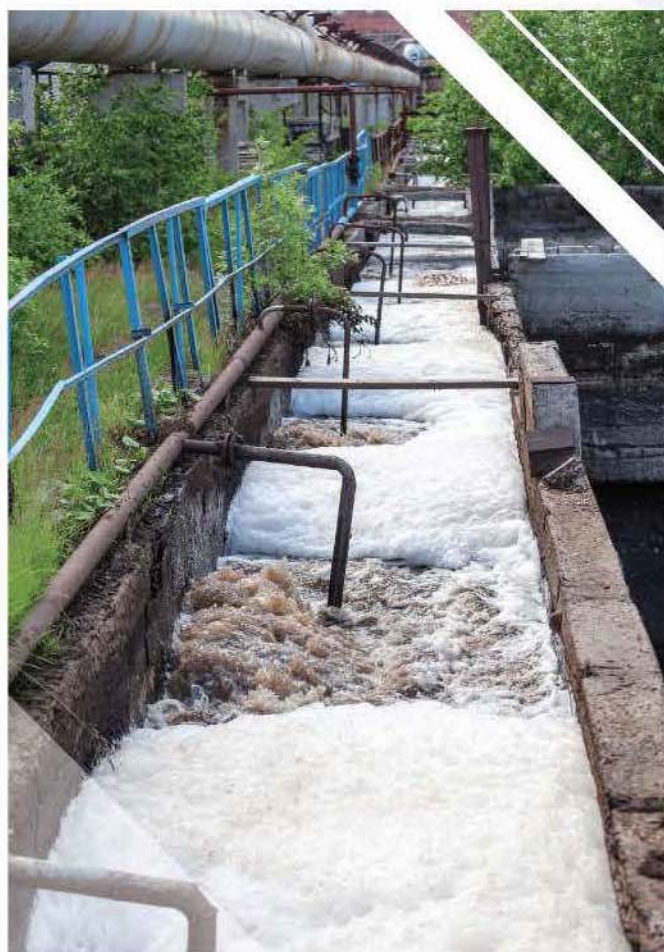
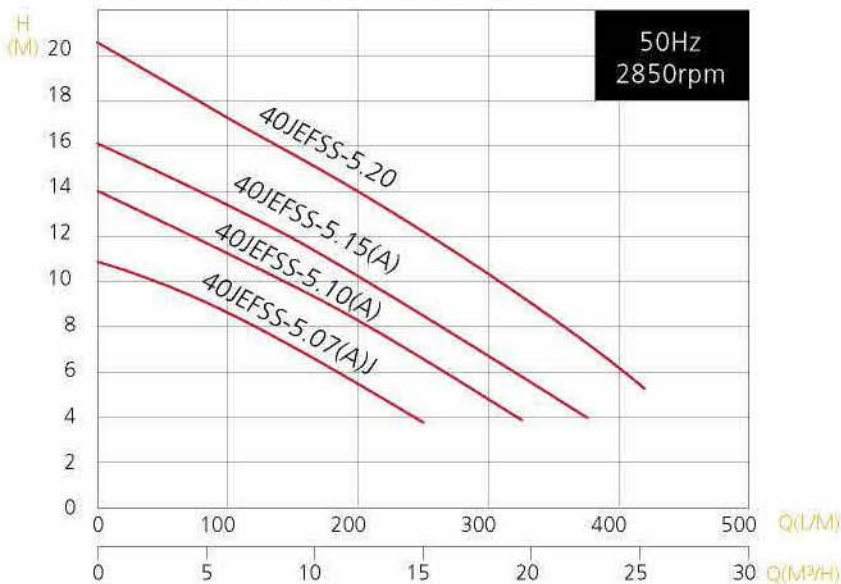
Application

- / Drainage of cellars, basements, garages
- / Emptying of tanks and reservoirs - irrigation of lawn and garden
- / Pumping of domestic grey water, washing machines, showers
- / Pumping of clean and dirty water

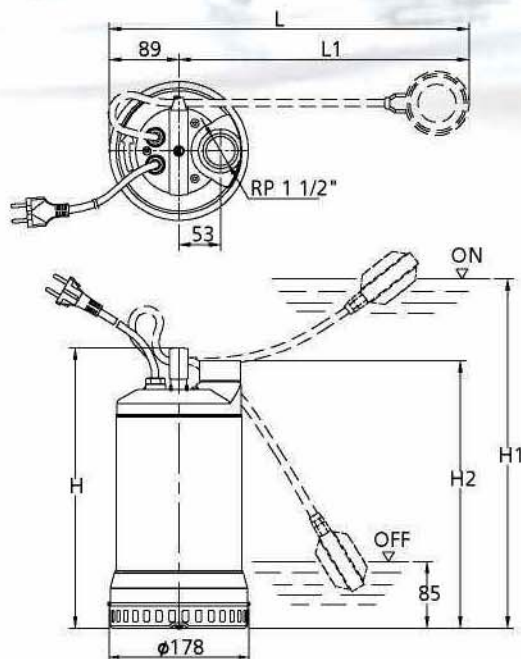
Specifications

Liquid Temperature		0~35°C (32~95°F)
Submersible depth		7M
Motor Part	Frequency	50Hz
	Pole	2 Pole
	Type	Dry Type
	Insulation	Class F
	Protection	IP 68
Pump Part	Protector	Thermal Protector (1PH)
	Bearing	Double-shielded Ball Type
	Mechanical seal	Dual. Mechanical Seal
	Impeller	Open

Performance Curve



JEFSS-Series Dimensions



Dimensions (mm)

Type	H		H1	H2		L	L1
	1PH	3PH		1PH	3PH		
40JEFSS-5.07	357	357	-	341	341	-	-
40JEFSS-5.07	357	-	437	341	-	459	370
A	407	357	-	391	341	-	-
40JEFSS-5.10	407	-	497	391	-	514	425
40JEFSS-5.10	407	407	-	391	391	-	-
A	407	-	497	391	-	514	425
40JEFSS-5.15	-	407	-	-	391	-	-